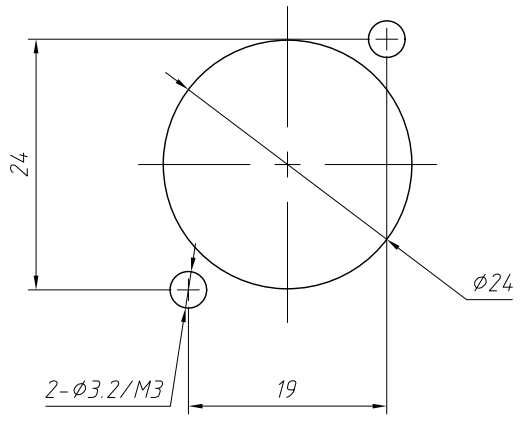
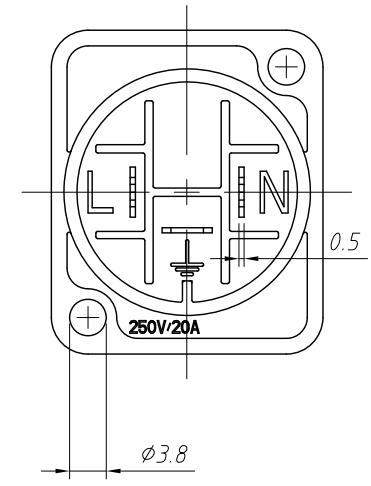
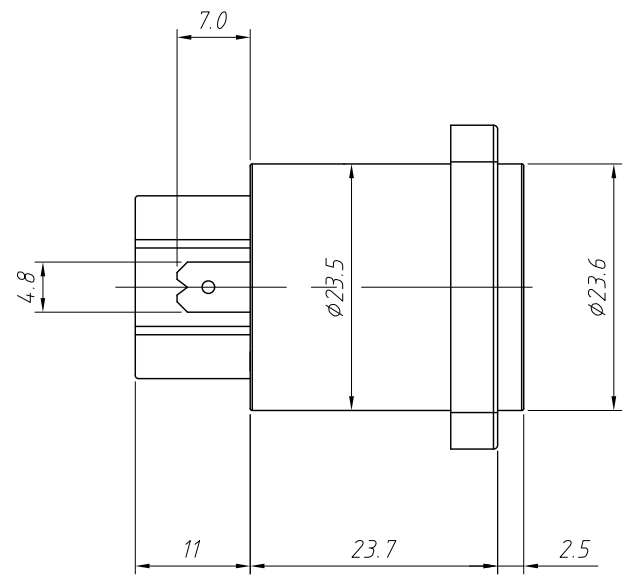
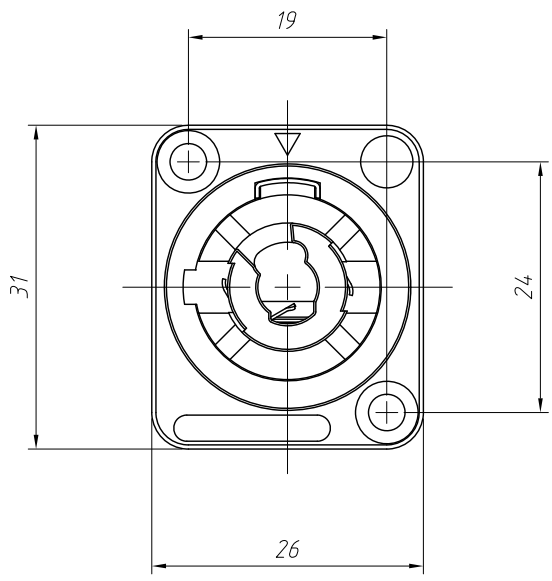


1
RoHS Compliance



Mounting Hole Dimensions

- Electrical:**
- 1.Voltage Rating: 250VAC
 - 2.Current Rating: 20A Max.
 - 3.Contact Resistance: 30m Ω Max.
 - 4.Insulation Resistance: 1000M Ω Min.
 - 5.Withstanding Resistance :1000VAC Min.

- Mechanical:**
- 1.Durability: 1000 cycles Min.

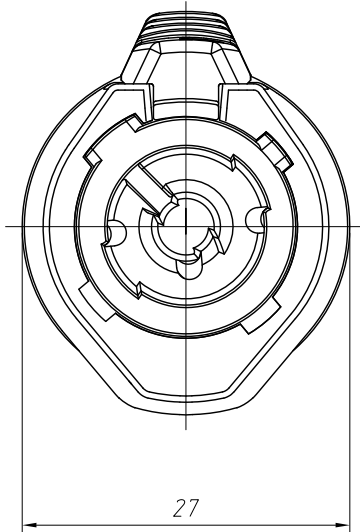
Order Information:
 L-KLS1-SL S-0702-02-BL
 L: RoHS
 speakON series
 Type: S-Socket P-Plug
 Order Number
 No. of 02 pins
 Color:BL-Blue

| | | | |
|-------------------|------------|------------------------------|------------|
| ANGLE TOLERANCE | PROJECTION | Description: | |
| $\pm 3^\circ$ | | 2+PE AC PowerCON Blue Socket | |
| GENERAL TOLERANCE | UNITS | mm | KLS P/N: |
| x.x ± 0.30 | SHEET SIZE | A4 | 1 / 1 page |
| x.xx ± 0.20 | Draw: | Daniel | 2021-08-28 |
| x.xxx ± 0.10 | Check: | Daniel | 2021-08-28 |

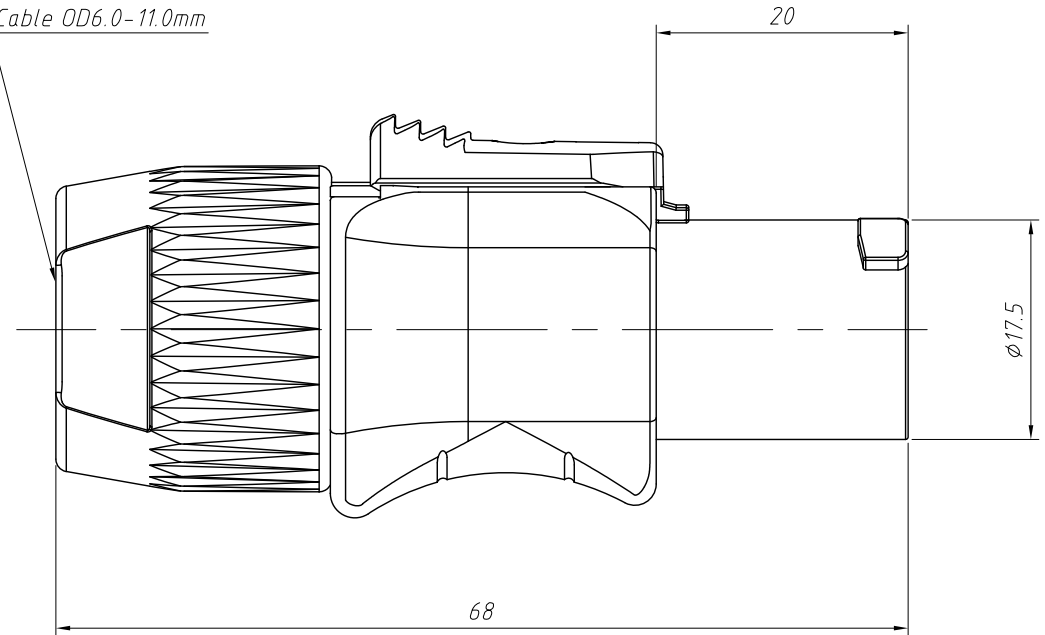


NingBo KLS ELECTRONIC CO.,LTD.

1
RoHS Compliance



Cable OD 6.0-11.0mm



- Electrical:**
- 1.Voltage Rating: 250VAC
 - 2.Current Rating: 20A Max.
 - 3.Contact Resistance: 30mΩ Max.
 - 4.Insulation Resistance: 1000MΩ Min.
 - 5.Withstanding Resistance :1000VAC Min.

- Mechanical:**
- 1.Durability: 1000 cycles Min.

Order Information:
L-KLS1-SL P-0702-02-BL
 L: RoHS
 speakON series
 Type: S-socket P-Plug
 Order Number
 No. of 02 pins
 Color: BL -Blue

| | | | |
|-------------------|------------|----------------------------|-----------------------|
| ANGLE TOLERANCE | PROJECTION | Description: | |
| ±3° | | 2+PE AC PowerCON Blue Plug | |
| GENERAL TOLERANCE | UNITS | mm | KLS P/N: |
| x.x ±0.30 | SHEET SIZE | A4 | L-KLS1-SLP-0702-02-BL |
| x.xx ±0.20 | Draw: | Daniel | 2021-08-28 |
| x.xxx ±0.10 | Check: | Daniel | 2021-08-28 |

